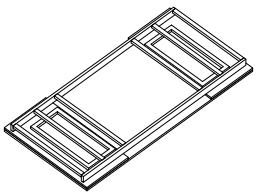
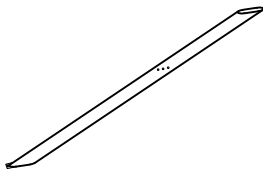
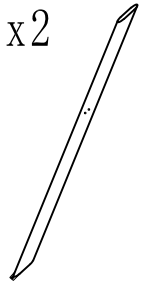
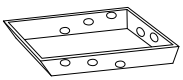



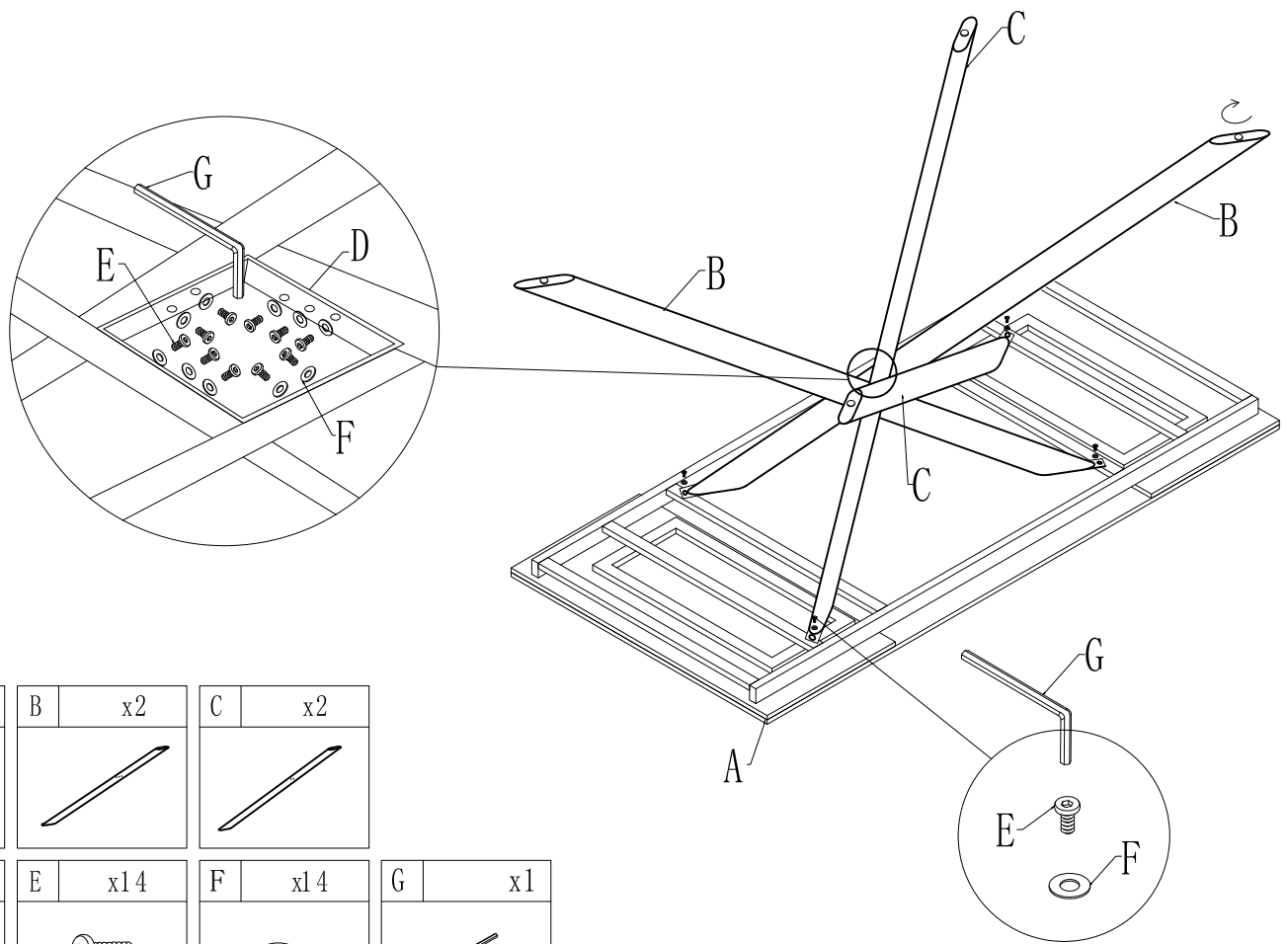
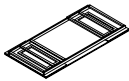
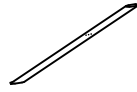
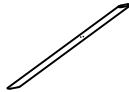
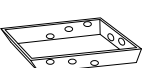





Ax1 	Bx2 	Cx2 	Dx1 	Ex14  M8x16mm	Fx14  M8x18mm	Gx1  M5	
---	--	---	--	---	--	--	--

1



A	x1	B	x2	C	x2		
							
D	x1	E	x14	F	x14	G	x1
		 M8x16mm		 M8x18mm		 M5	

2

