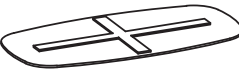

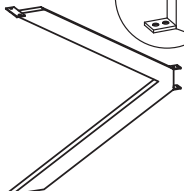
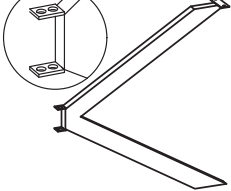






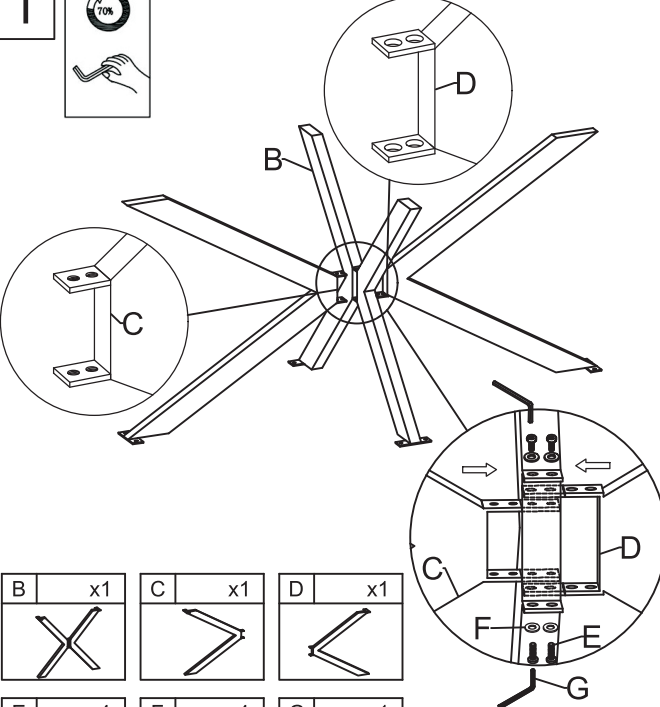







# Assembly Instruction

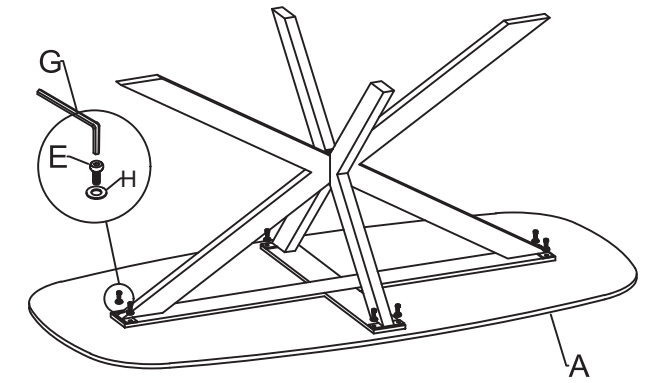
Ax1 	Bx1 	Cx1 	Dx1 	Ex12  M8x20mm	Fx4  M8x18mm	Gx1  M5	Hx8  M8x22mm
--	--	--	---	--	---	--	---




**1**  



B	x1	C	x1	D	x1
E	x4	F	x4	G	x1
					
M8x20mm		M8x18mm		M5	

**2**  



A	x1				
E	x8	H	x8	G	x1
					
M8x20mm		M8x22mm		M5	

**3**

