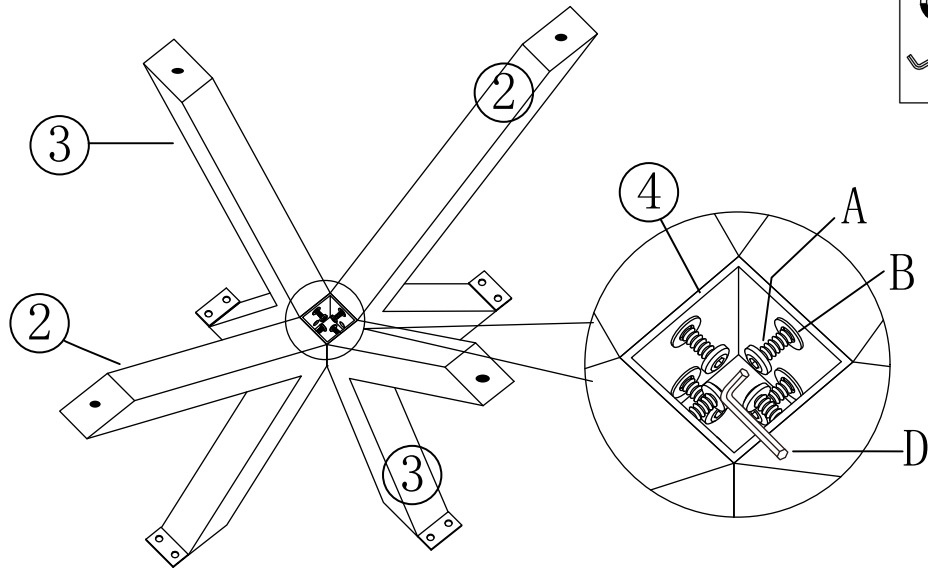
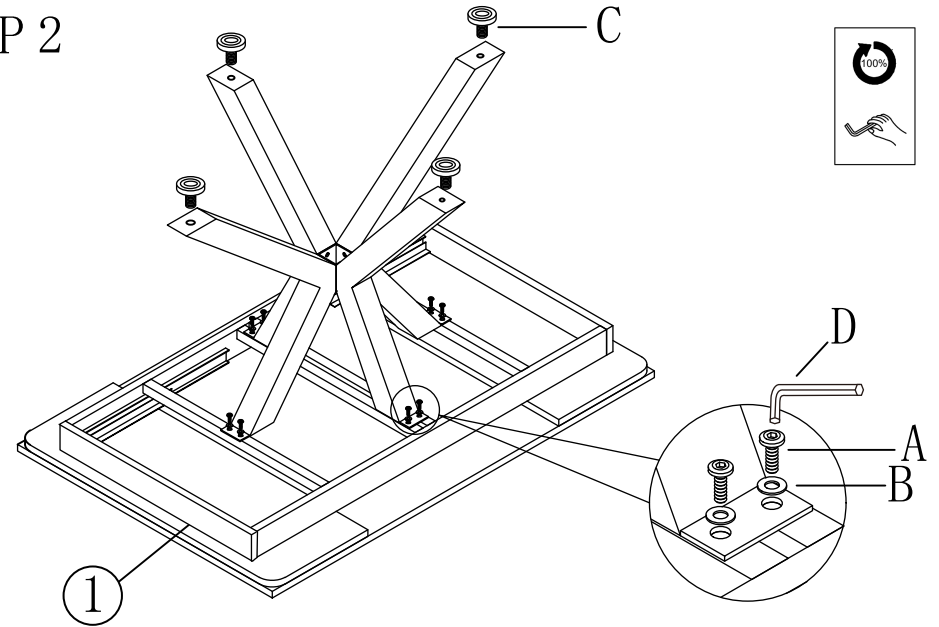


ASSEMBLY INSTRUCTION

STEP 1



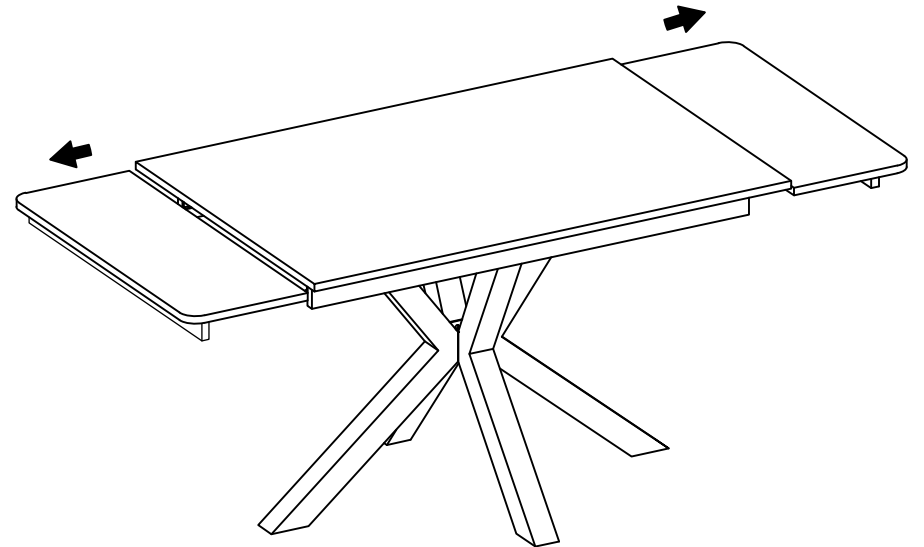
STEP 2



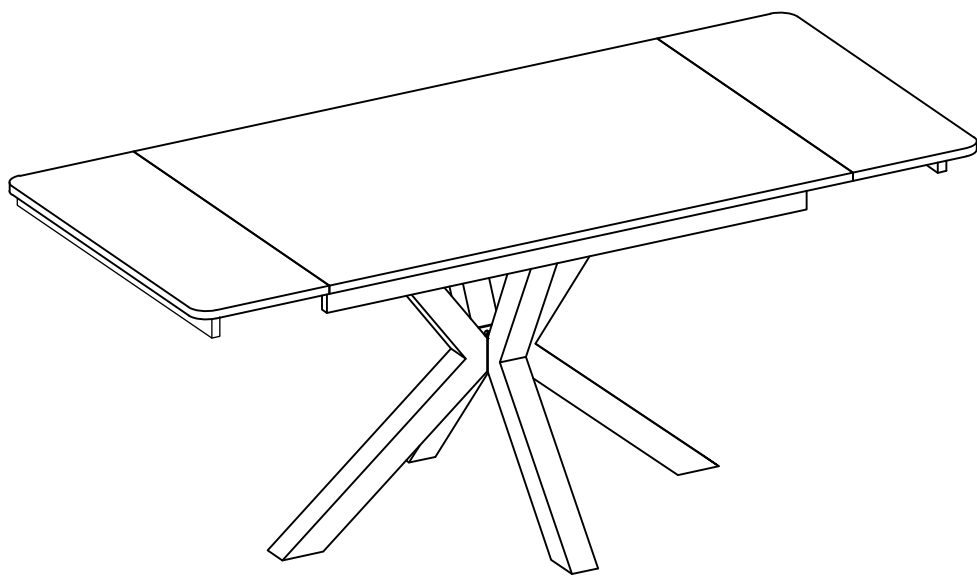
STEP 3



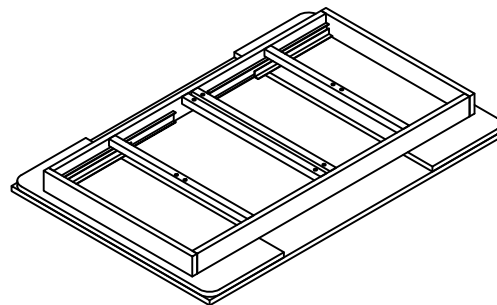
STEP 4



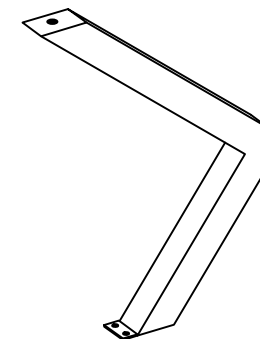
STEP 5



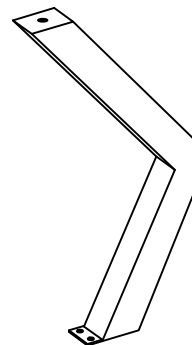
① x1



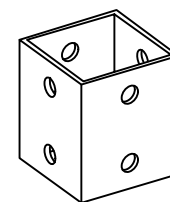
② x2



③ x2



④ x1



A (M8 x 16 mm) x 16



B (M8 x 18 mm) x 16



C (M8 x 15 mm) x 4



D (M5) x 1

