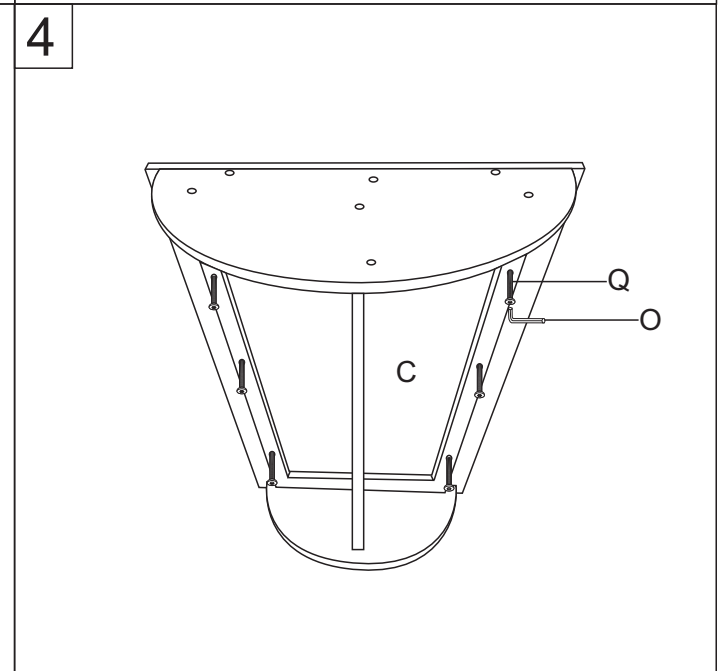
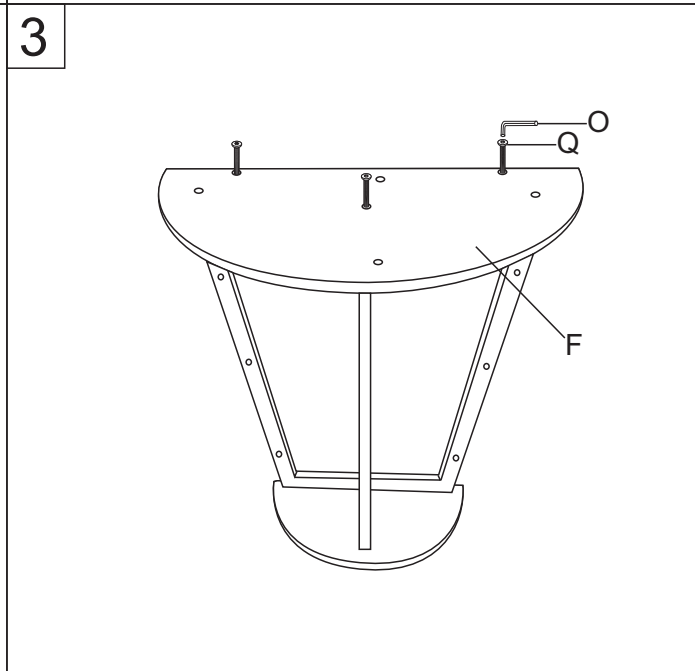
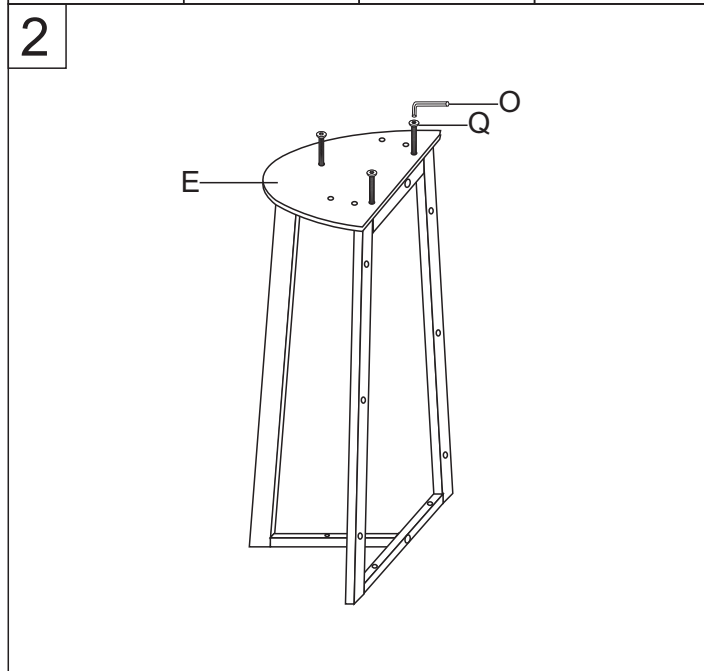
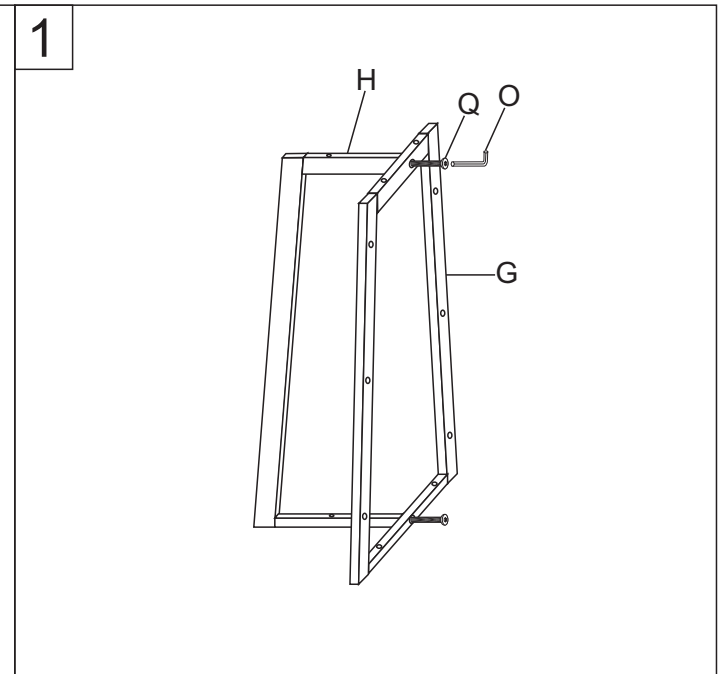
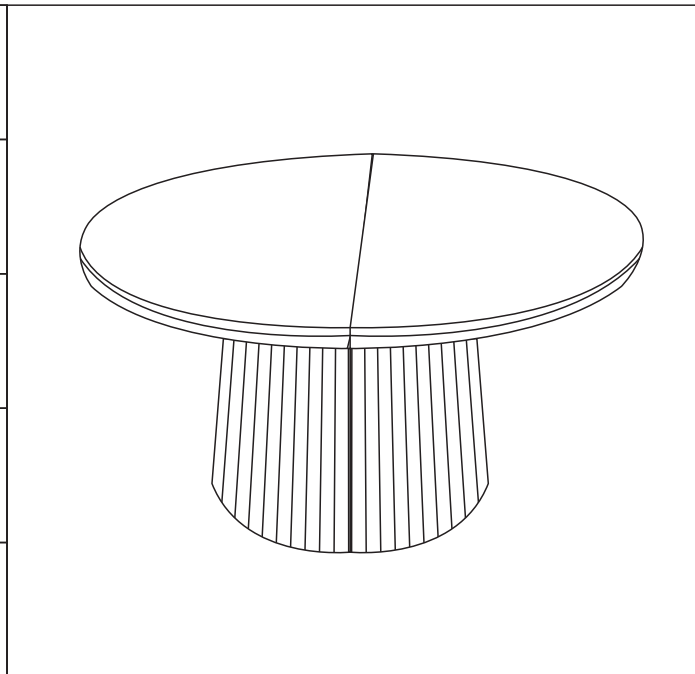
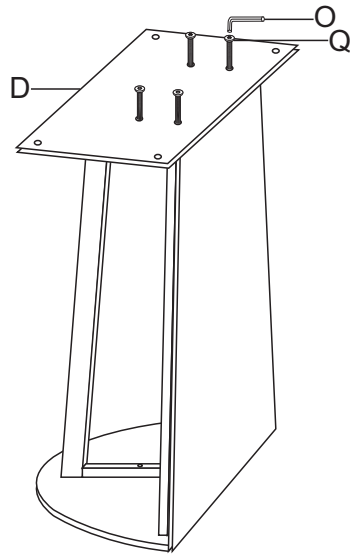


ASSEMBLY INSTRUCTION

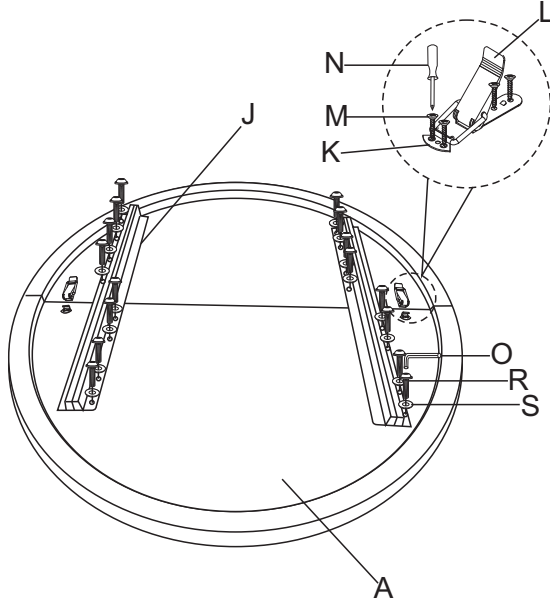
Ax1 	Bx2 	Cx2 	Dx2
Ex2 	Fx2 	Gx2 	Hx2
Ix2 	Jx2 	Kx6 	Lx6
Mx24 M4x16	Nx1 	Ox1 	Px8
Qx44 M6x25	Rx16 M6x16	Sx16 	



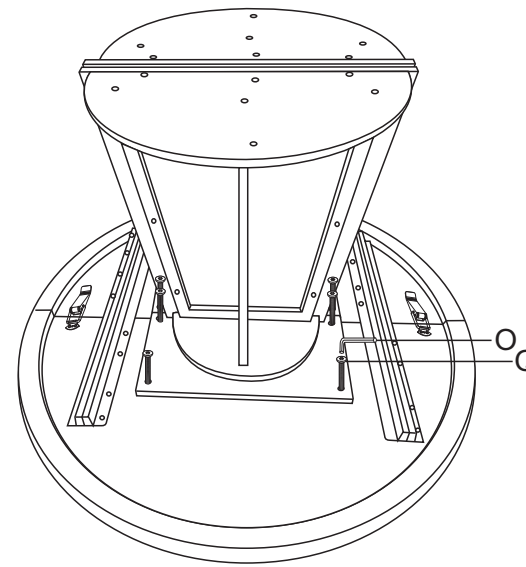
5



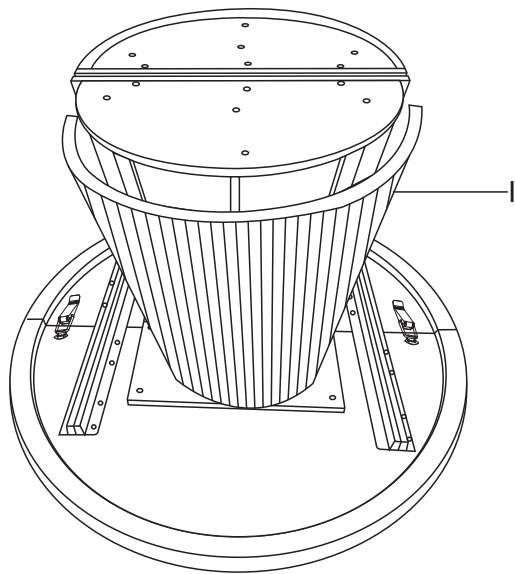
6



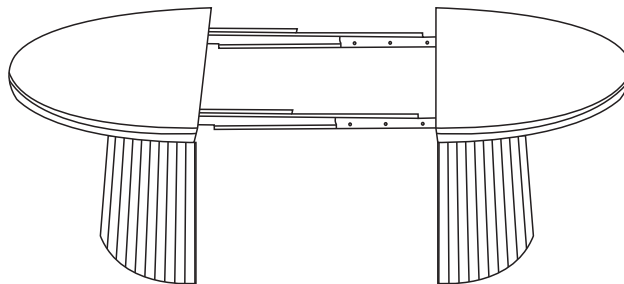
7



8



9



10

