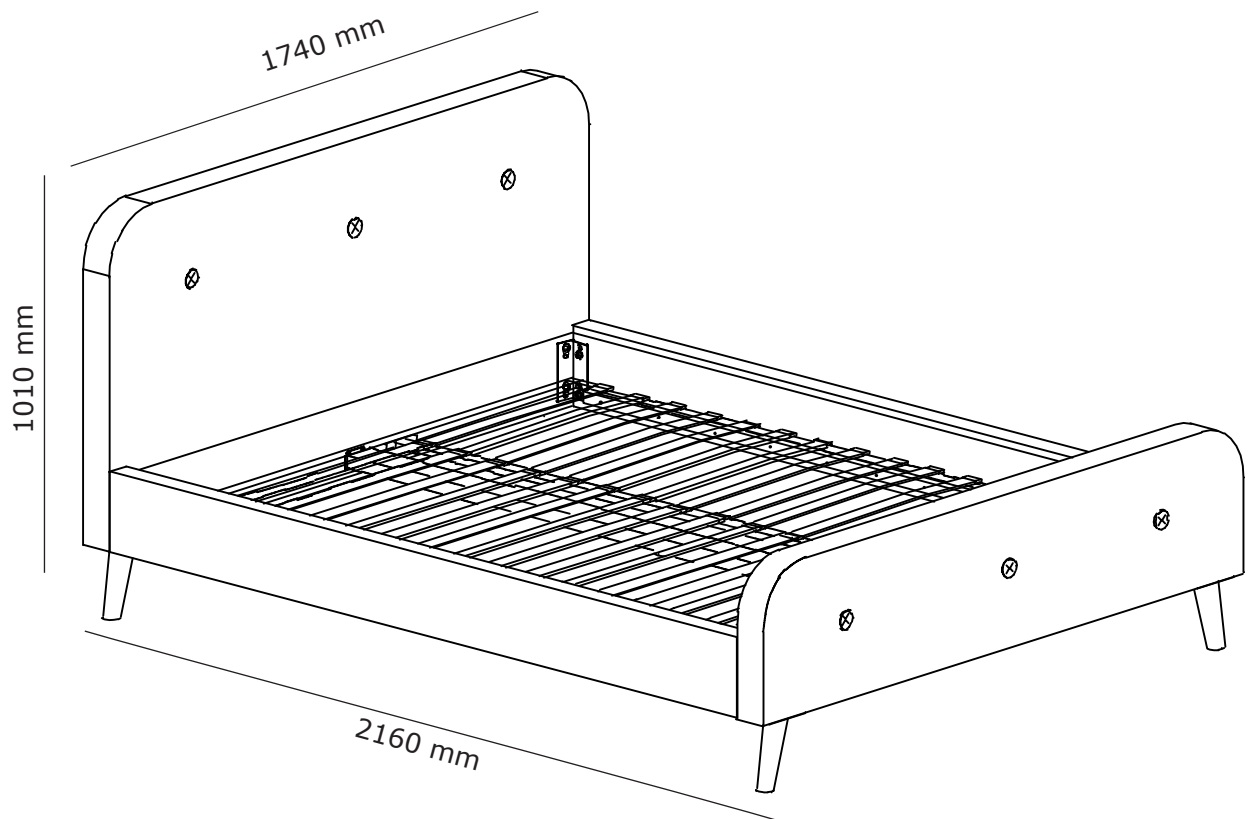
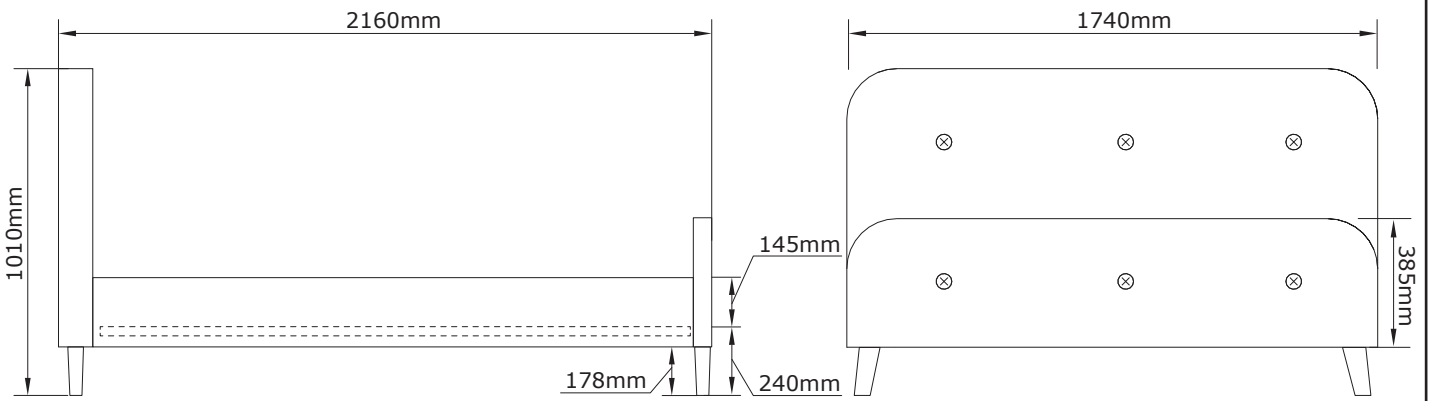
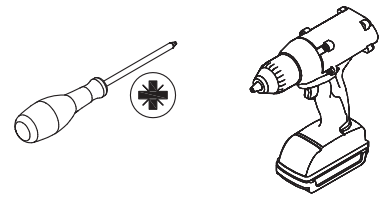


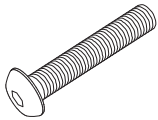
RUHUS 160







A x 24



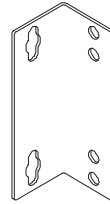
M8x30 mm

B x 8



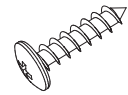
Ø8/Ø19 mm

C x 4



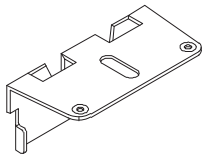
130x45x45 mm

D x 4



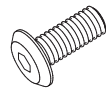
Ø4x16 mm

E x 2



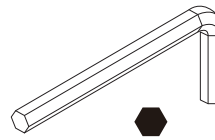
68x33x30 mm

F x 2



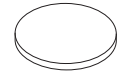
M6x15 mm

G x 1



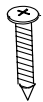
5 mm

H x 4

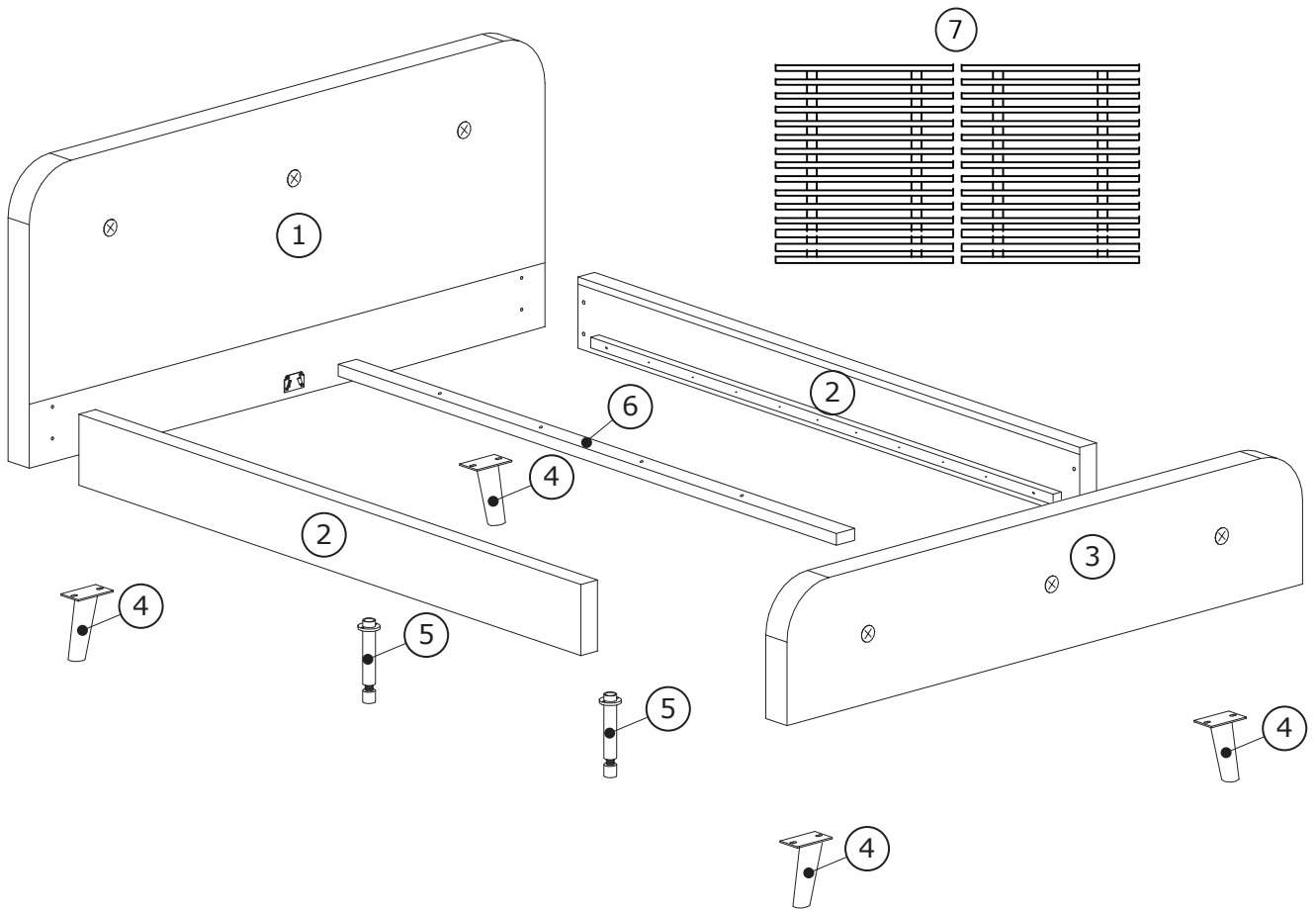


Ø25x3 mm


K x 60

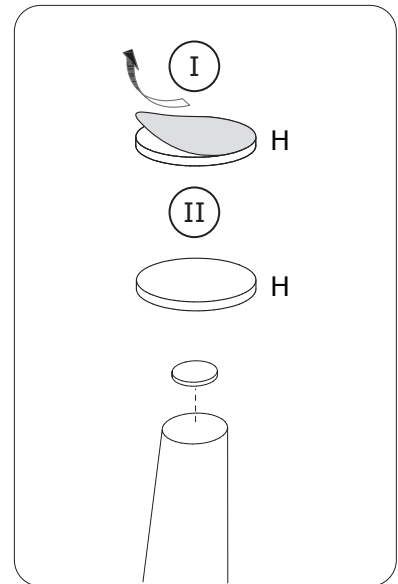
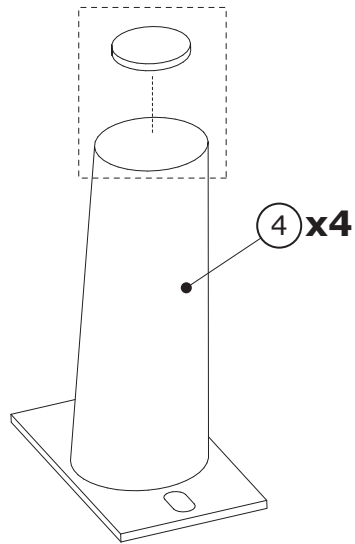


Ø4x30mm

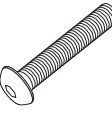

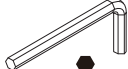


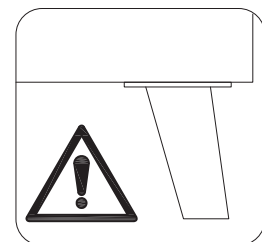
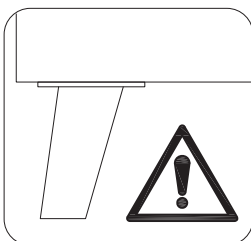
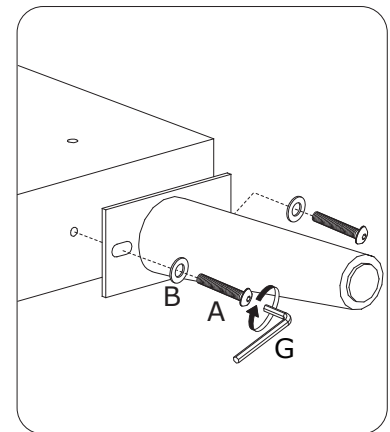
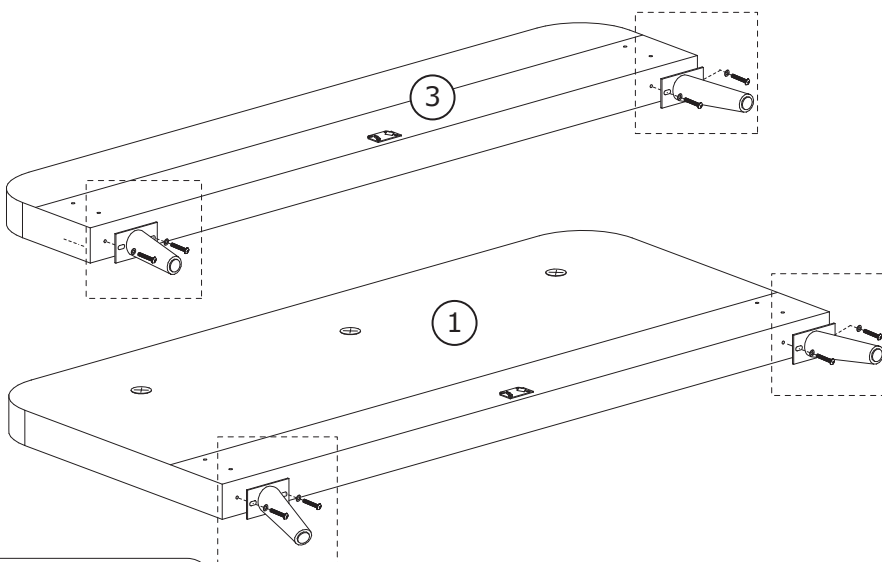
1

H × 4	
	
Ø25x3 mm	

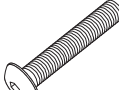



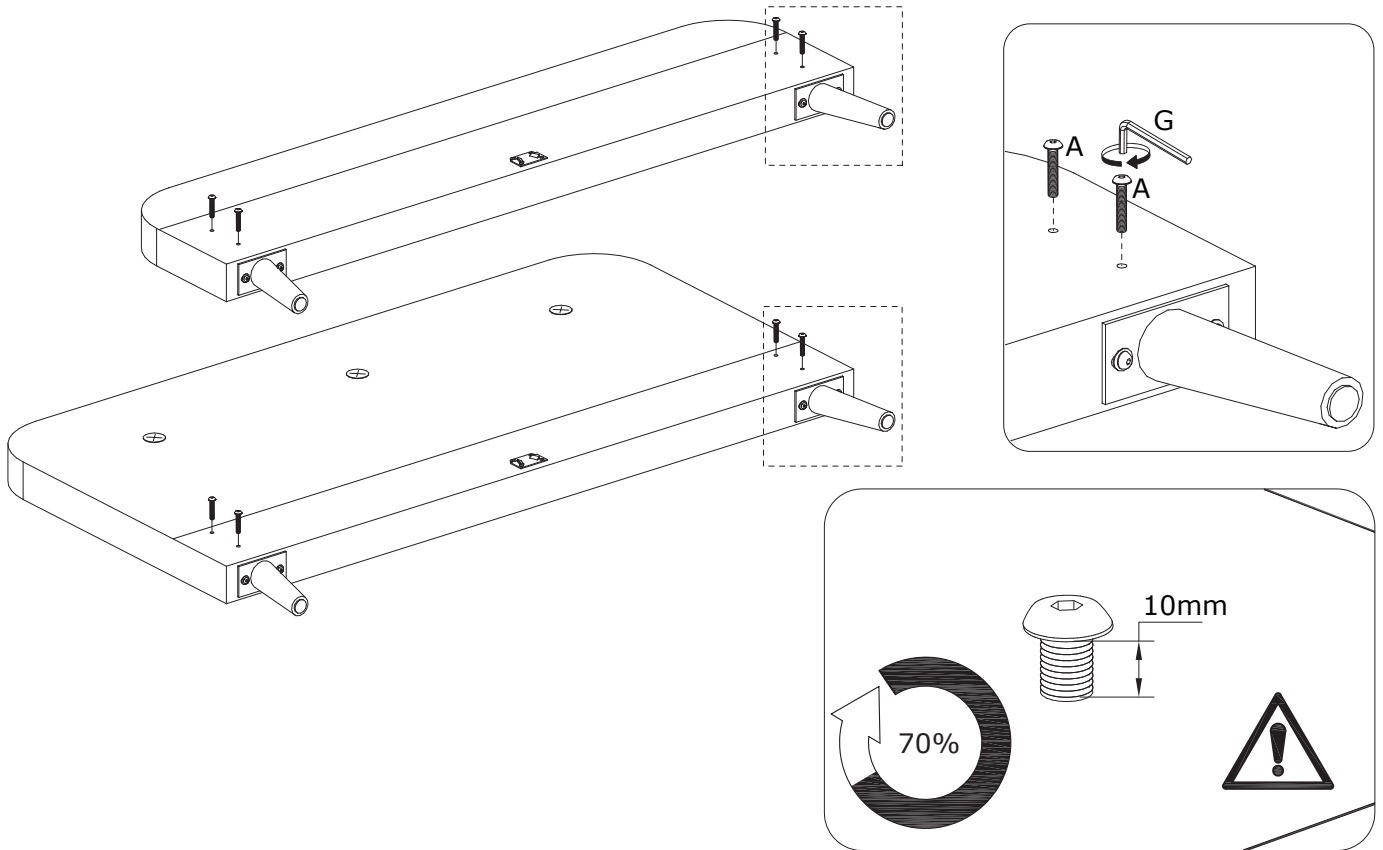
2

A × 8	B × 8	G × 1	
			
M8×30 mm	Ø8/Ø19 mm	5 mm	

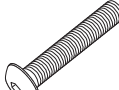
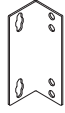



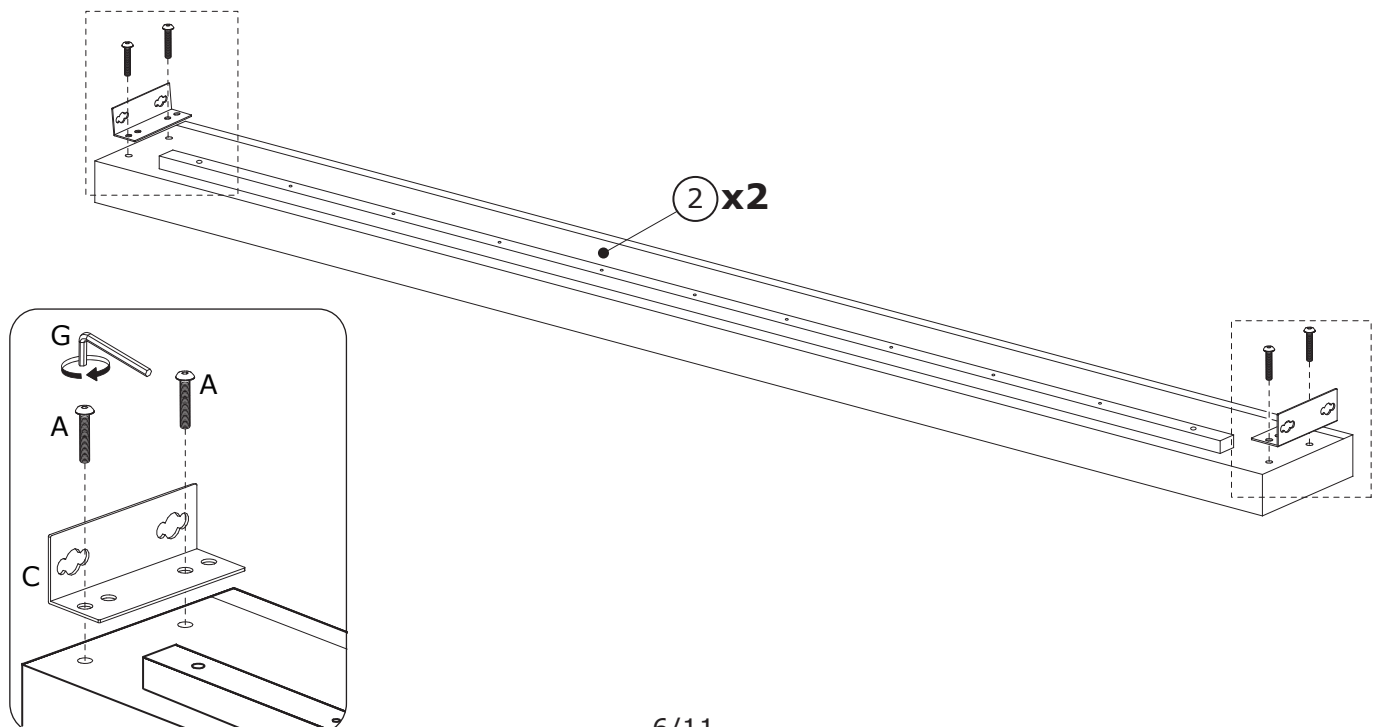
3

<p>A × 8</p>  <p>M8×30 mm</p>	<p>G × 1</p>  <p>5 mm</p>	
--	--	--

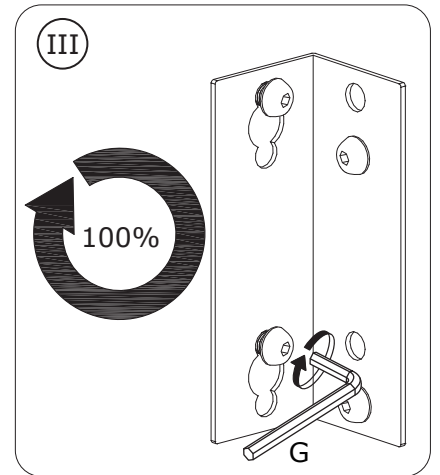
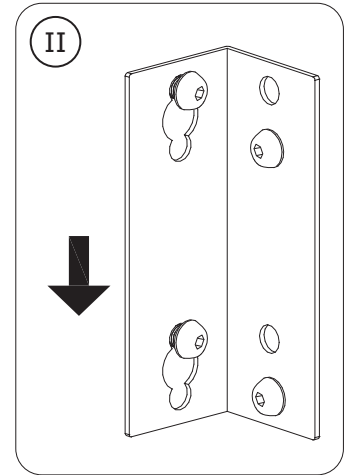
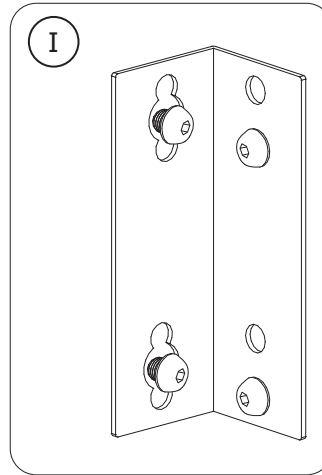
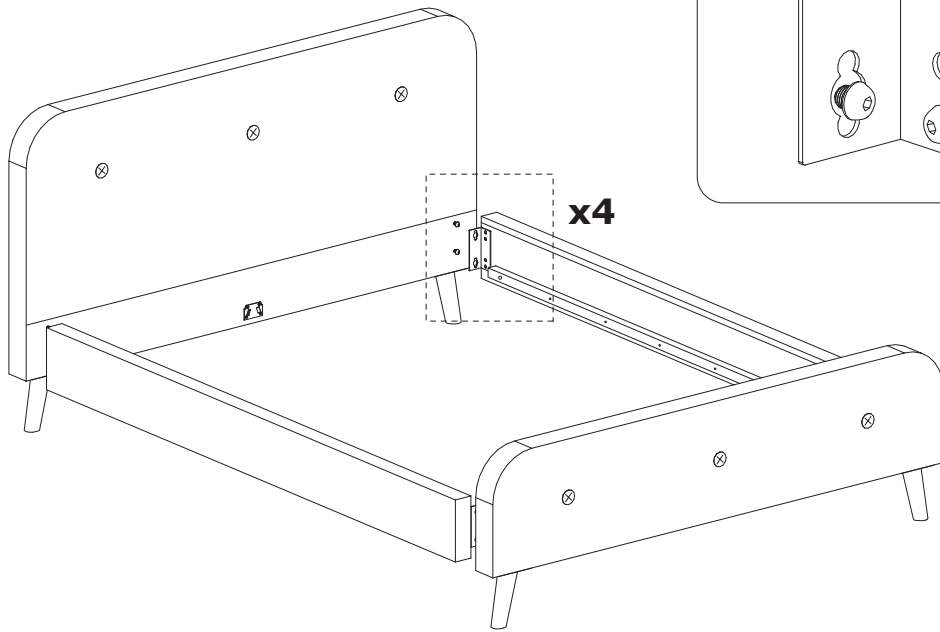
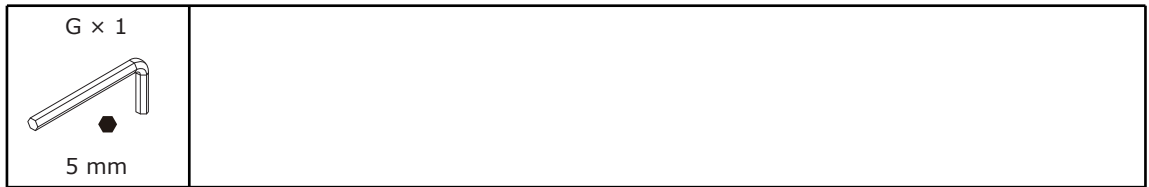


4

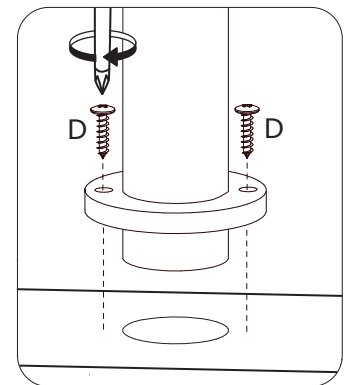
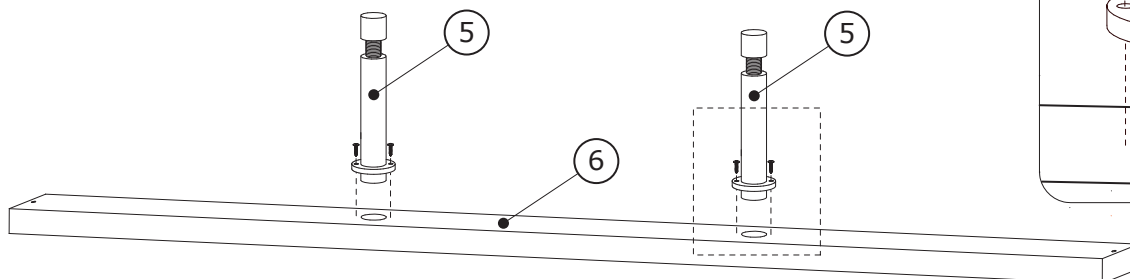
<p>A × 8</p>  <p>M8×30 mm</p>	<p>C × 4</p>  <p>130x45x45 mm</p>	<p>G × 1</p>  <p>5 mm</p>	
--	--	--	--



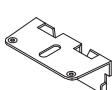

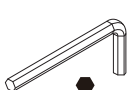
5

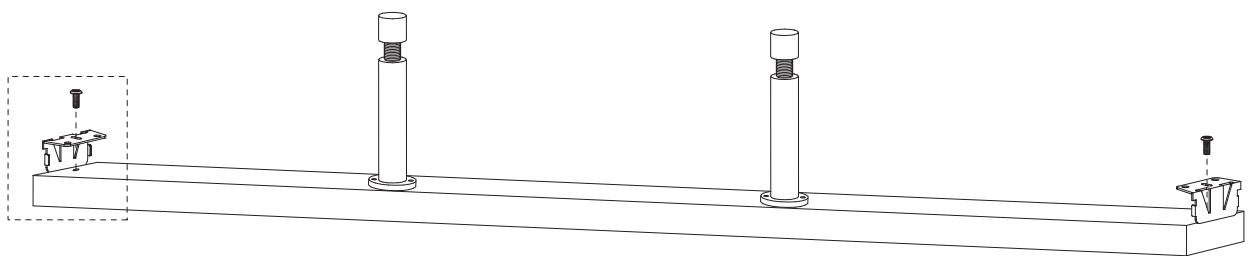
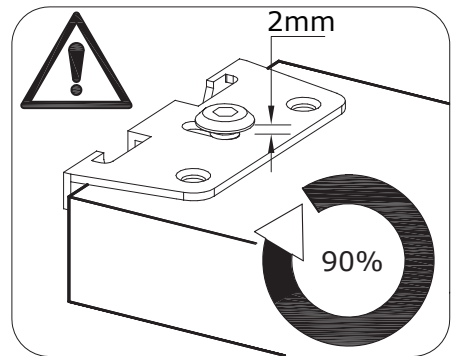
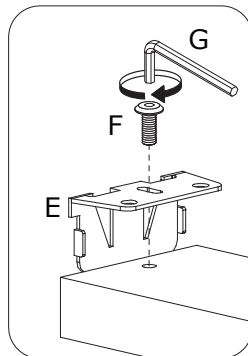


6



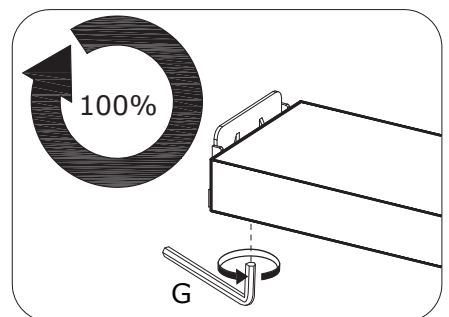
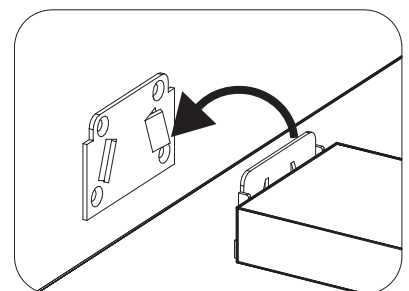
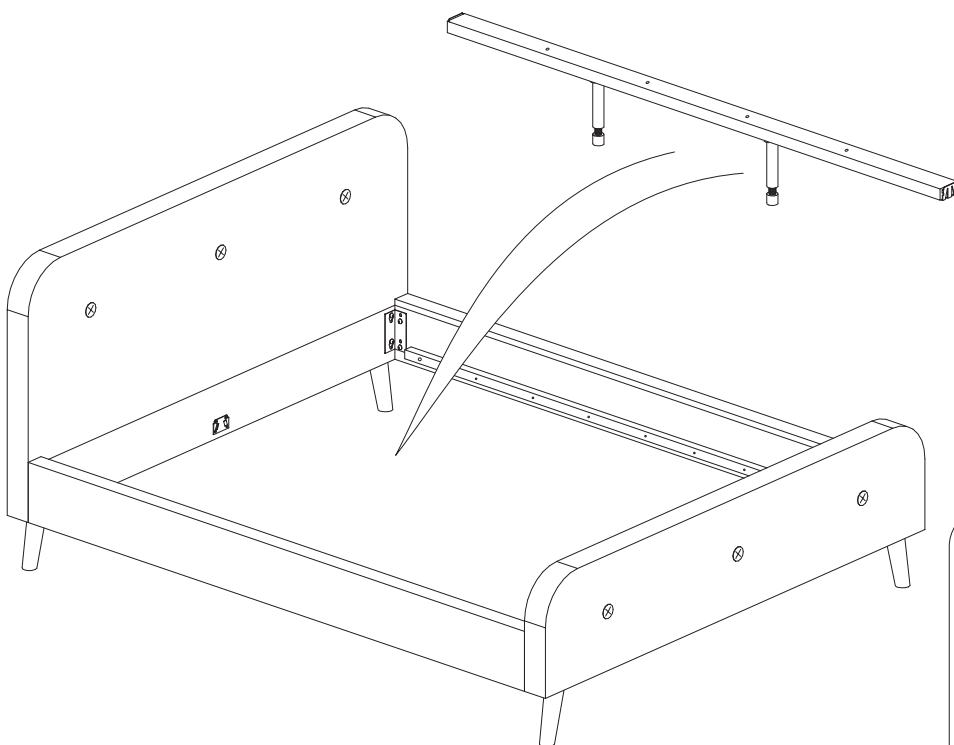
7

$E \times 2$  68x33x30 mm	$F \times 2$  M6x15 mm	$G \times 1$  5 mm	
--	---	---	--

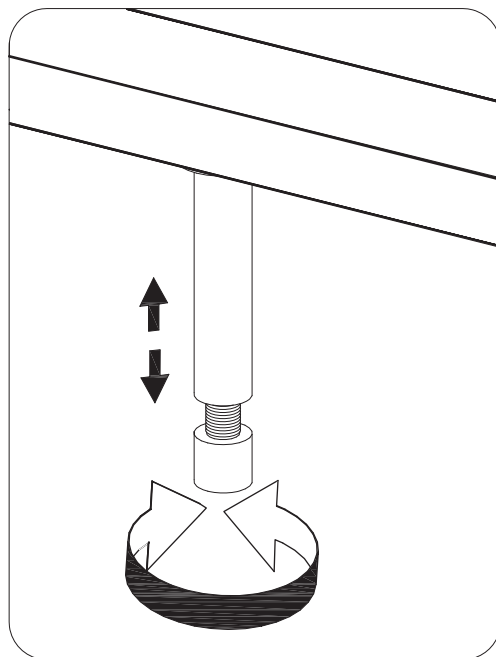
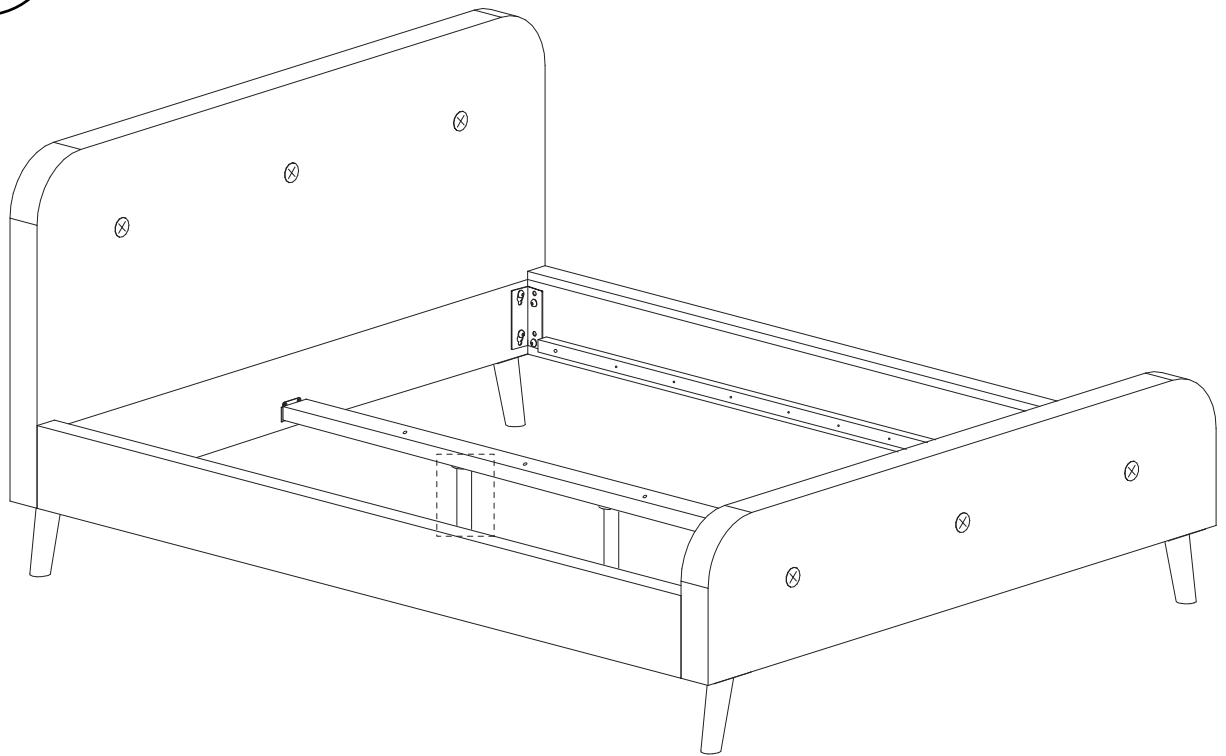


8

$G \times 1$  5 mm	
---	--



9



10



- 1) Use screws to secure the 8 holes at the front and back ends of the slats first.
- 2) Secure the remaining holes in the slats with screws.

