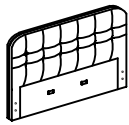

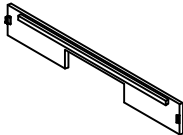


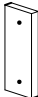
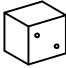


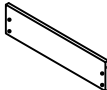
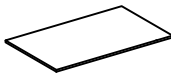



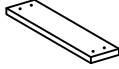
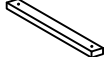

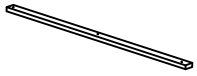


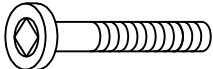
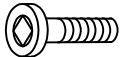
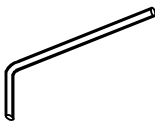

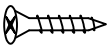
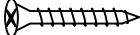
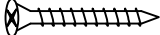
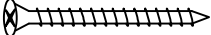
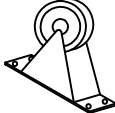
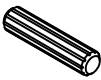
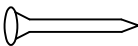
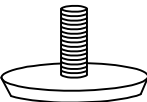
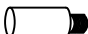


ASSEMBLY INSTRUCTIONS

JAMIE 3 DRAWER BED CF 9135-B (6')

PARTS LIST

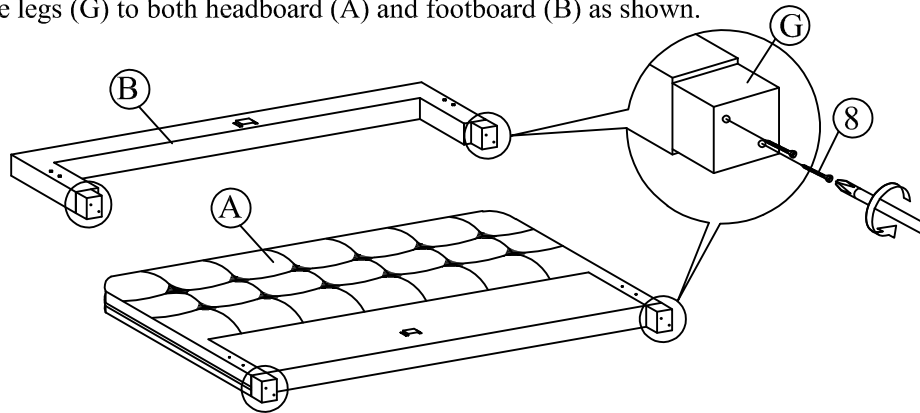
A HEADBOARD (1 PC) 	B FOOTBOARD (1 PC) 	C SIDE RAIL (2 PCS) 	D CENTRAL RAIL (2 PCS) 	E SUPPORT LEG (4 PCS) 	F SIDE RAIL (4PCS) SUPPORT 
G LEGS (4 PCS) 	H FOOTBOARD (1 PC) FRONT PANEL (WITH LABEL 1) 	I FOOTBOARD (1 PC) BACK PANEL (WITH LABEL 2) 	J FOOTBOARD & SIDE RAIL SIDE PANEL (6 PCS) (WITH LABEL 3) 	K FOOTBOARD (1 PC) BOTTOM PANEL (WITH LABEL 4) 	L SIDE RAIL (2 PCS) FRONT PANEL (WITH LABEL 5) 
M SIDE RAIL (2 PCS) BACK PANEL (WITH LABEL 6) 	N SIDE RAIL (2 PCS) BOTTOM PANEL (WITH LABEL 7) 	O BOTTOM PANEL (7 PCS) BIG SUPPORT (WITH LABEL 8) 	P BOTTOM PANEL (4 PCS) SMALL SUPPORT (WITH LABEL 9) 	Q SLAT (42 PCS) 	R STIFFENER SLAT (2PCS) 

HARDWARE LIST

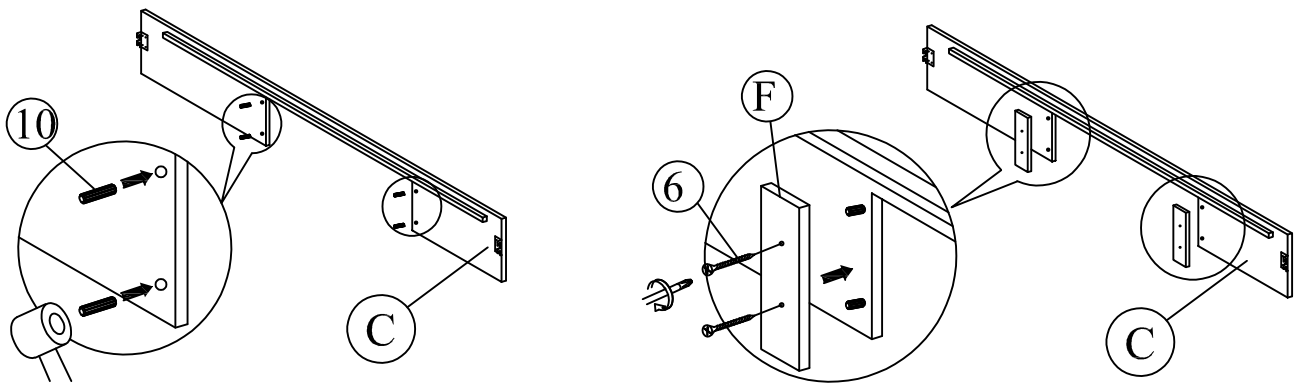
1 JCBC M6 X 40mm (4 PCS) 	2 JCBB M8 x 20 mm (8PCS) 	3 ALLEN KEY M4 X 65mm (1 PC) 	4 ALLEN KEY M5 X 70mm (1 PC) 	5 CSK M3.5 x 16mm (64 PCS) 
6 CSK M4 x 25mm (8 PCS) 	7 CSK M4 x 32mm (44 PCS) 	8 CSK M4 x 50mm (32 PCS) 	9 ROLLER (14 PCS) 	10 WOOD DOWEL 20MM (8 PCS) 
11 Power Nail 6/8 (24 PCS) 	12 Adjuster 35mm (4 PCS) 	13 Metal Stopper (6 PCS) 	14 Middle Holder (28 PCS) 	15 End Holder (28 PCS) 

ASSEMBLY INSTRUCTIONS

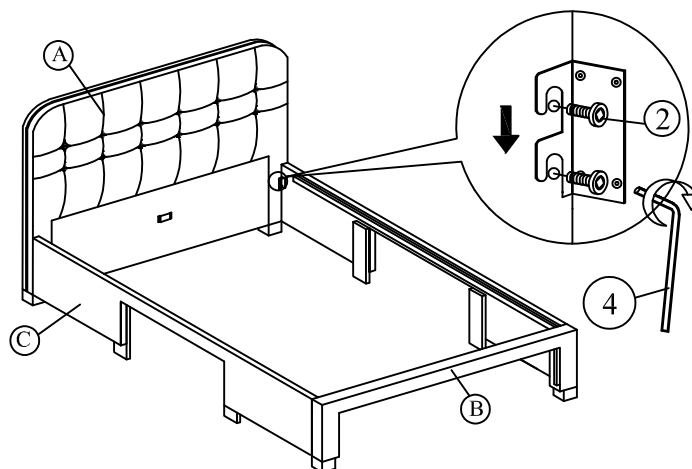
Step 1 : Tighten the legs (G) to both headboard (A) and footboard (B) as shown.



Step 2 : Attach wood dowel (10) to side rail (C). Tighten the side rail support (F) to the side rail (C) with screws (6) using screw driver (not included).

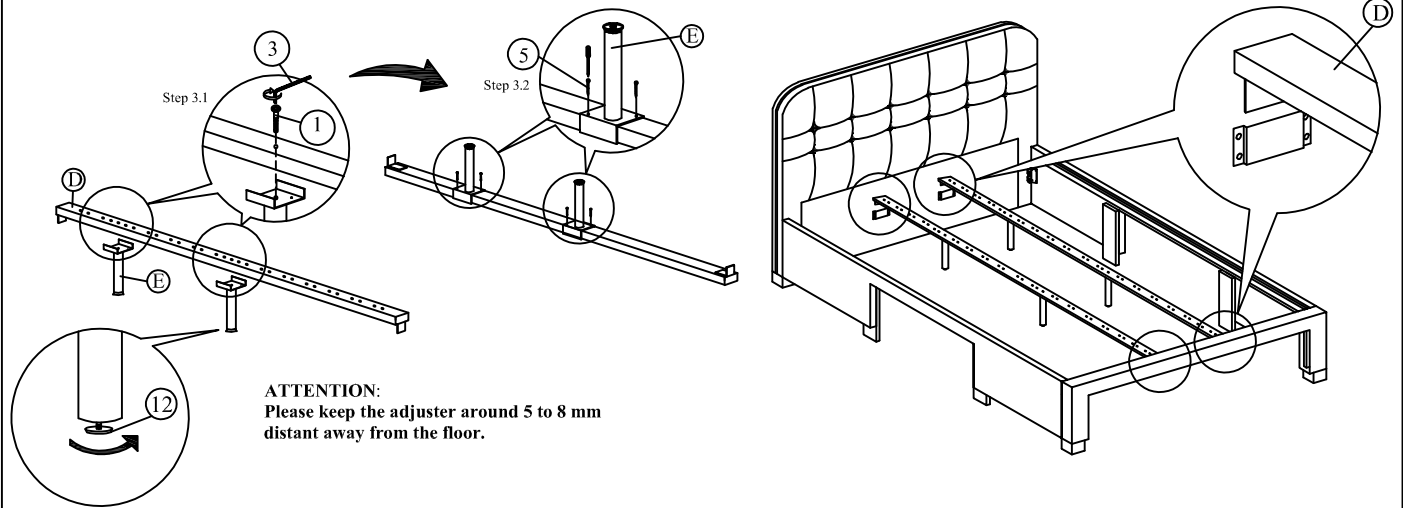


Step 3 : Attach side rail (C) to headboard (A) and footboard (B) by pushing the bracket down to fit it.

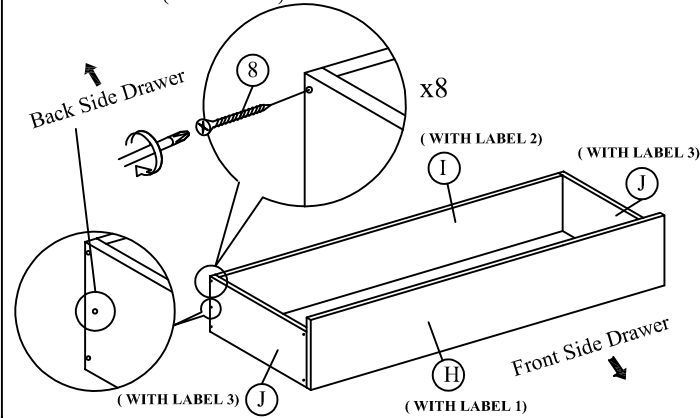


ASSEMBLY INSTRUCTIONS

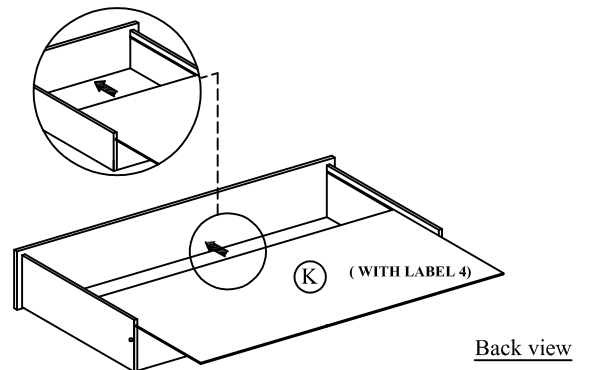
Step 4 : Attach the support legs (E) to the center rail (D) of the bed as shown. Slide the center rail (D) to the headboard (A) and footboard (B).



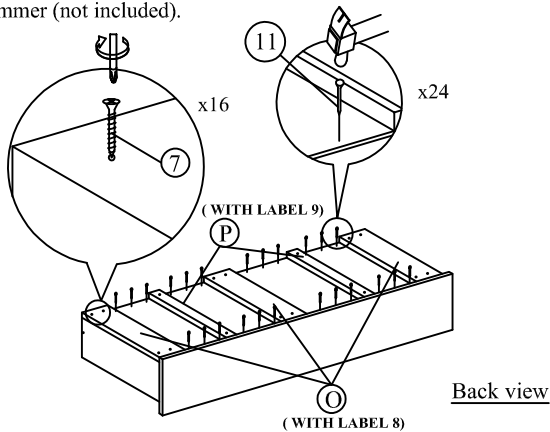
Step 5 : Tighten the footboard side panel (J) to the footboard front panel (H) and footboard back panel (I) with screws (8) using screw driver (not included).



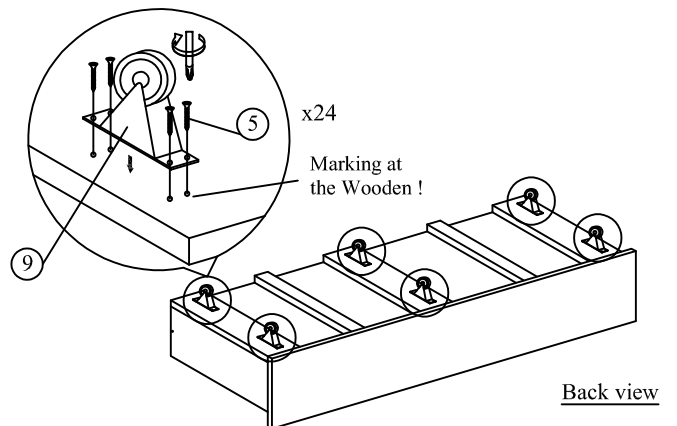
Step 6 : Slide the footboard bottom panel (K) to the set up drawer.



Step 7 : Tighten the bottom panel support (O & P) with screws (7) using screw driver (not included). Attach the bottom panel with Nail (11) using the hammer (not included).

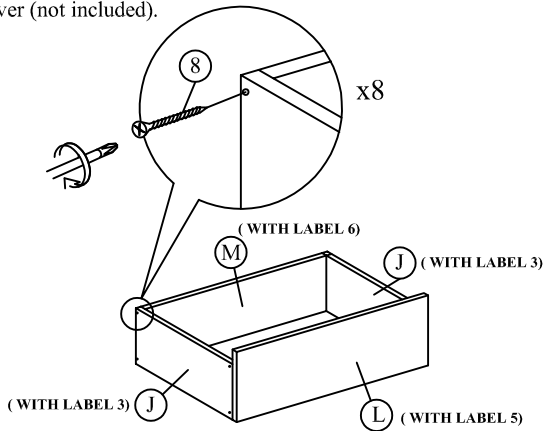


Step 8 : Tighten the roller (9) with screws (5) using screw driver (not included).

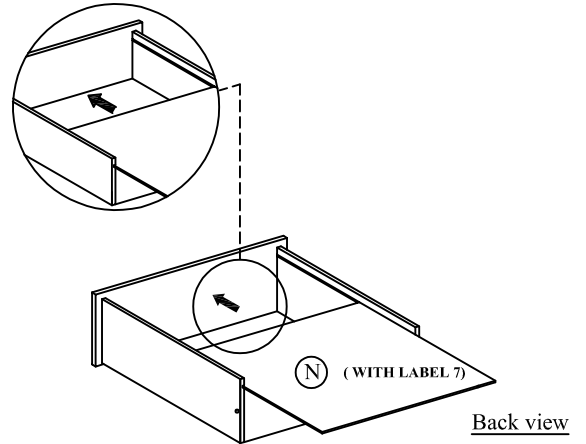


ASSEMBLY INSTRUCTIONS

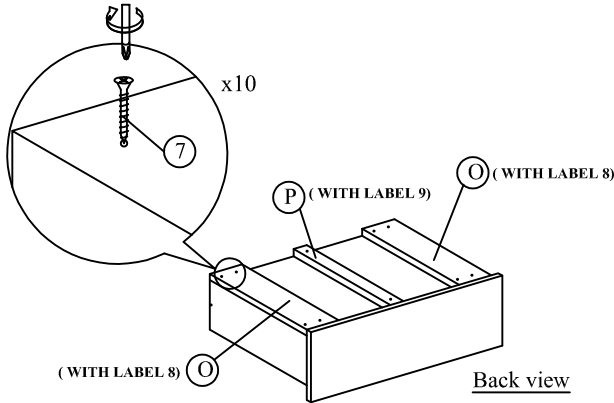
Step 9 : Tighten the side rail side panel (J) to the side rail front panel (L) and side rail back panel (M) with screws (8) using screw driver (not included).



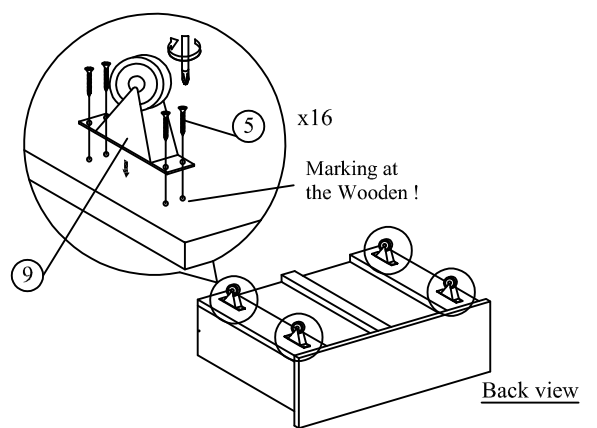
Step 10 : Slide the side rail bottom panel (N) to the set up drawer.



Step 11 : Tighten the bottom panel support (O & P) with screws (7) using screw driver (not included).



Step 12 : Tighten the roller (9) with screws (5) using screw driver (not included).



Step 13 : Affix the Stiffener Slat (R) to the side rail support wood and the center rail (D). Tighten all the 4 corner, follow by assembly of the slat holders with LVL slats as shown.

